

MQ30

Multi-directional forklift

Load capacity: 3000 Kgs

The MQ30 is MIMA's newly launched wide-body, four-pivot stand-on multi-directional forklift, suitable for handling and stacking long materials in extremely narrow aisles. MQ30 has a load capacity of 3 tons and a maximum lifting height of 8 meters.

It has multiple modes of operation, including straight drive, sideways drive, diagonal movement, central rotation, and stacking mode, and adds a fast-slow speed switch mode (tortoise speed switch).

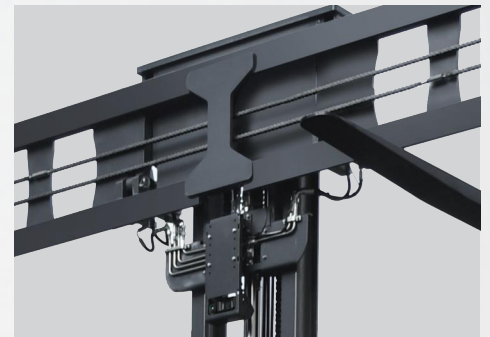
The distance from the fork face to the rear of the vehicle is only 800mm, allowing for the customization of leg lengths to suit ultra-narrow aisle conditions, which can effectively increase storage capacity.



Cabin



HD Video display



Fork-positioner

SPECIFICATION

Standard

1.1	Model		MQ30
1.2	Power type		Battery
1.3	Operation		Stand on
1.4	Load capacity	Q(kg)	3000
1.5	Load center distance	C(mm)	600
1.6	Front overhang	x(mm)	1015
1.7	Wheelbase	y(mm)	1625

Weights

2.1	Service weight (incl. battery)	kg	5630
-----	--------------------------------	----	------

Wheels

3.1	Tyre type, front/rear		PU
3.2	Tyre size, front	mm	φ330×145
3.3	Tyre size, rear	mm	15X8-11.25/381X203X285.8SM
3.4	Caster wheel	mm	φ254×65
3.5	Wheels, number front/rear(X=driven)+caster wheel		2 /3/1X
3.6	Track width, rear	b10(mm)	1632
3.7	Track width, front	b11(mm)	1660

Dimensions

4.1	Mast/Fork tilt angle front/rear	α/β (°)	3/5
4.2	Mast retracted height	h1 (mm)	2555
4.3	Free lift height	h2 (mm)	1525
4.4	Lift height	h3 (mm)	4600
4.5	Mast extended height	h4(mm)	5645
4.6	Overhead guard height	h6(mm)	2550
4.7	Pedal height	h7(mm)	620
4.8	Support arms height	h8(mm)	420
4.9	Overall length	l1(mm)	2000
4.10	Length to fork face	l2(mm)	800
4.11	Overall width	b1/b2 (mm)	2280/2860
4.12	Fork dimensions	s / e / l (mm)	50/150/1200
4.13	Fork outside spread	b5 (mm)	560~2800
4.14	Support arms inner width	b4 (mm)	1000
4.15	Reach distance	l4 (mm)	1300
4.16	Ground clearance, center of wheelbase	m2 (mm)	75
4.17	Conventional rail opening	-	2200
4.17	Min. permissible guideway opening	-	2100
4.18	Min. distance between goods	Ast(mm)	2500
4.19	Body to support arms	17(mm)	2000

Performance

5.1.1	Straight travelling speed, laden/unladen	km/h	6
5.1.2	Sideways travelling speed, laden/unladen	km/h	6
5.2	Lift speed, laden/unladen	m/s	0.2/0.3
5.3	Lowering speed, laden/unladen	m/s	0.3/0.2
5.4	Reaching speed, laden/unladen	m/s	0.18/0.18
5.5	Gradeability, laden/unladen	%(tanθ)	6/8
5.6	Service brake		Electromagnetic

Driving

6.1	Drive motor rating (S2=60 min)	kw	8
6.2	Lift motor rating (S3=15%)	kw	12.5
6.3	Lithium battery voltage/capacity	V/Ah	48/460

Others

7.1	Type of drive control		AC
7.2	Noise level at operator's ear	dB(A)	75

Note:

- ①Weight varies for different lifting heights and configurations.
- ②Height(with lights) : 2700mm.

KEY FEATURES:

1) Hydraulic Linkage Function: The fork's lifting-lowering and the mast's forward movement can be synchronized to improve work efficiency.

2) Mast Forward Movement: With an electric motor and roller chains, it allows precise control of the forward distance of the mast, also reduces the amount of mast sway.

3) New Tortoise Mode: This mode enhances the precision of sideway drive, and can easily pick up the goods.

4) Front Wheel Speed Measurement: This function can improve the straightness of the vehicle when traveling sideways.

5) Side-Standing Operation: It offers a high and flexible field of view, better than other multi-directional forklift models.

6) Four-pivot Single Drive Structure: The driving side bears less load and consumes less energy during operation.

7) Compact Design: When the mast is retracted, the distance from the fork face to the rear of the vehicle is only 800mm, highly suitable for extremely narrow aisles.



Fingertip



BANYITONG SCIENCE & TECHNOLOGY DEVELOPING CO.,LTD
Tel: +86 551 6219 3112

E-mail: sales@mimachina.com

Website: www.mimaforklift.com

Add: Crossing of Daihe Road and Cailun Road, Hefei, China